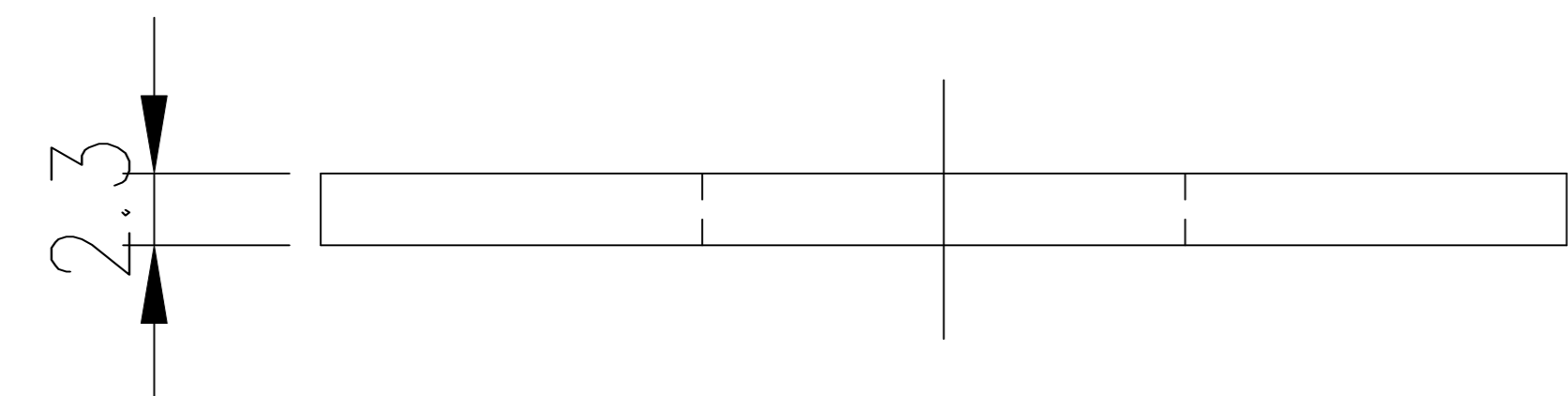
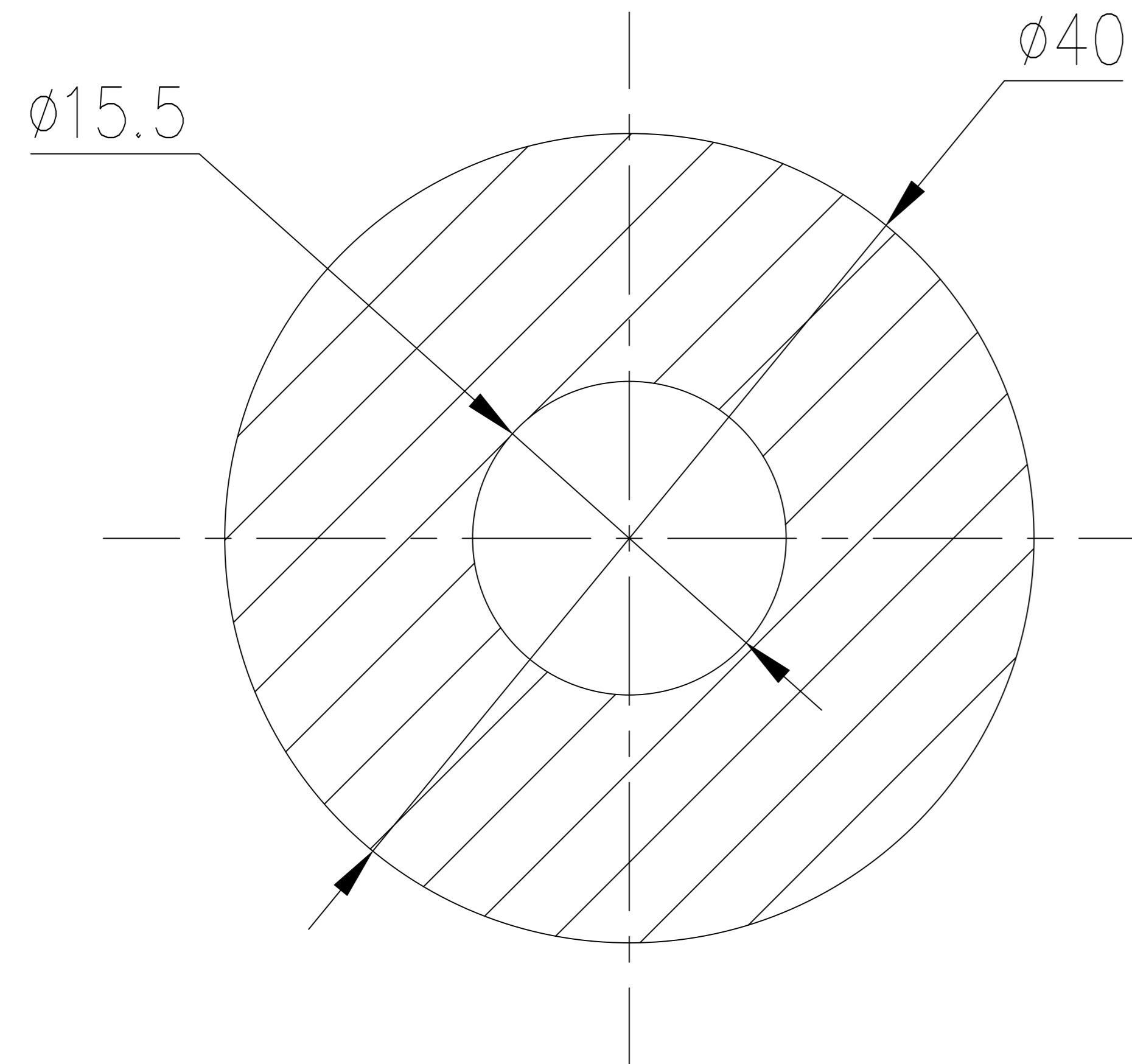


A	
적용 도면 (Applied DRAW. No.)	
도면 번호 (DRAW. No.)	비 고 (Remarks)
1	
2	

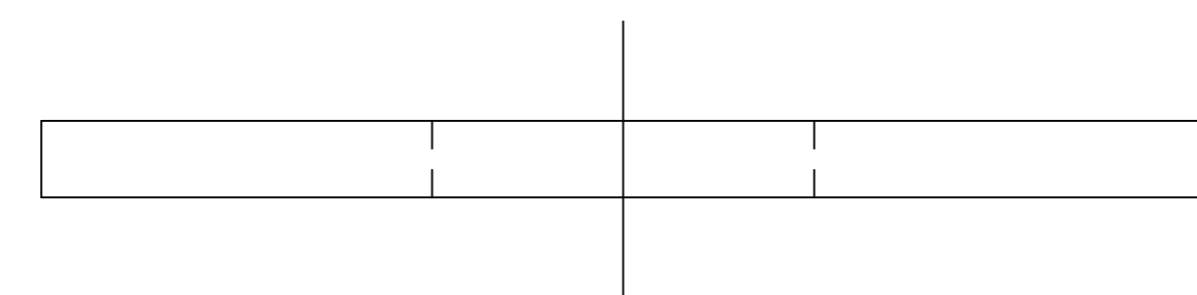
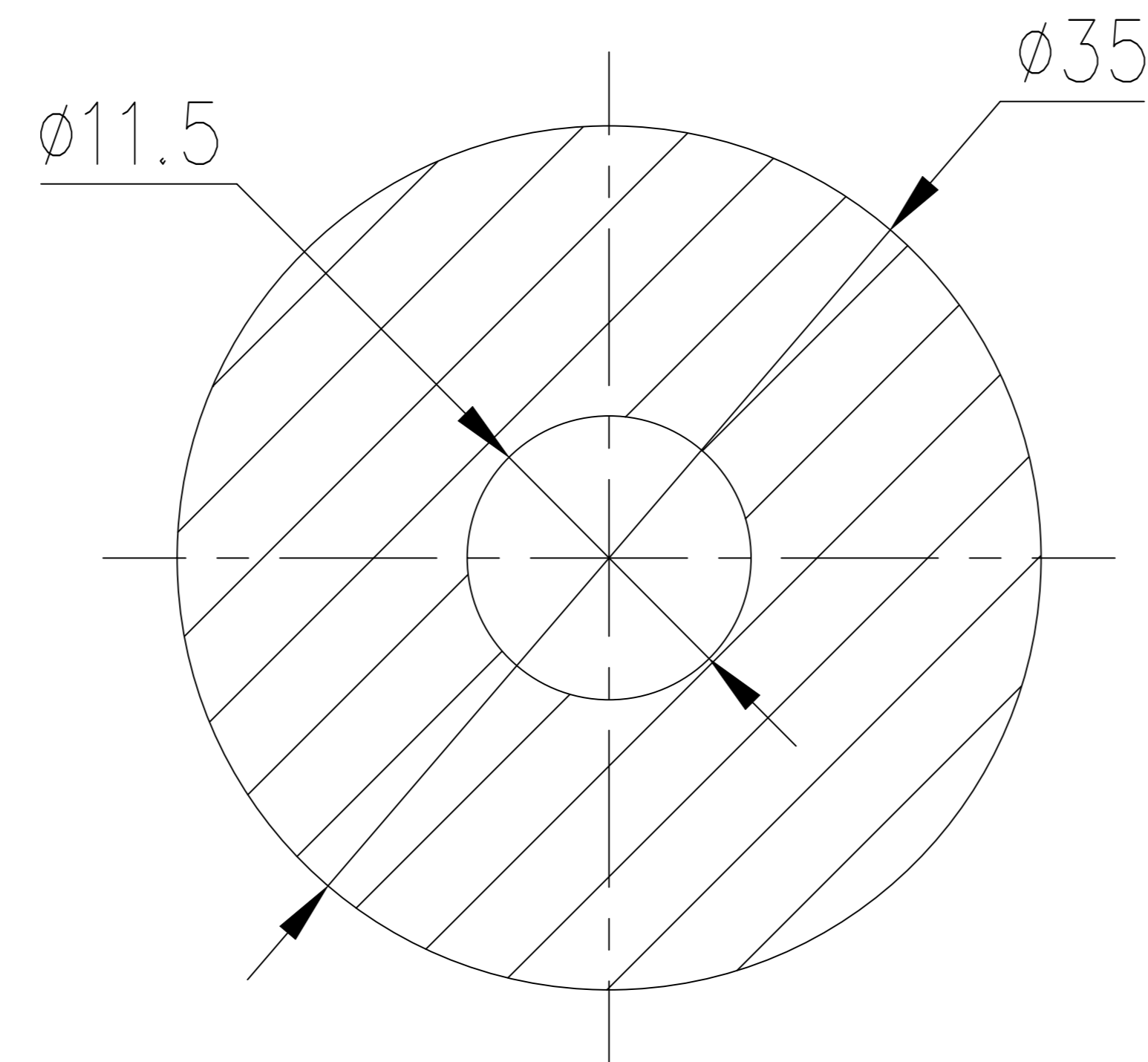
B		C	
MARK	DATE	DETAIL OF REVISION	CHECK APP.
△			
△			

SBN-C016



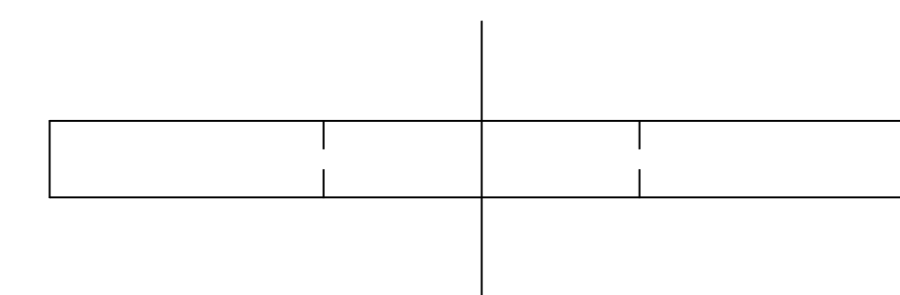
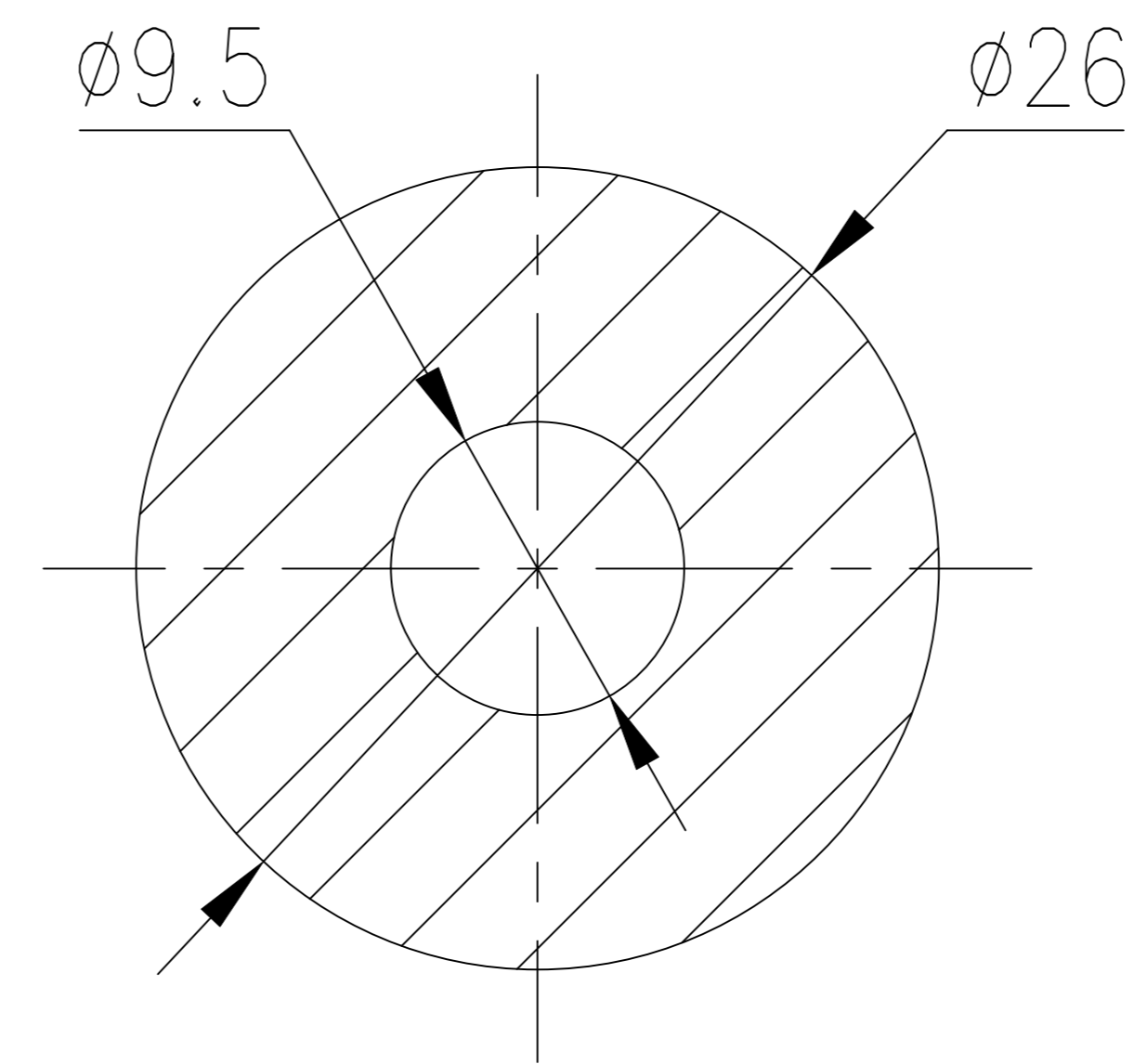
적용 (mm): M16

SBN-C012



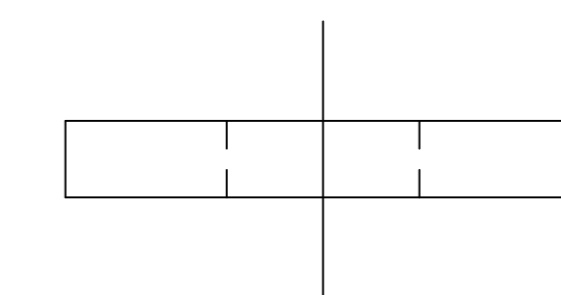
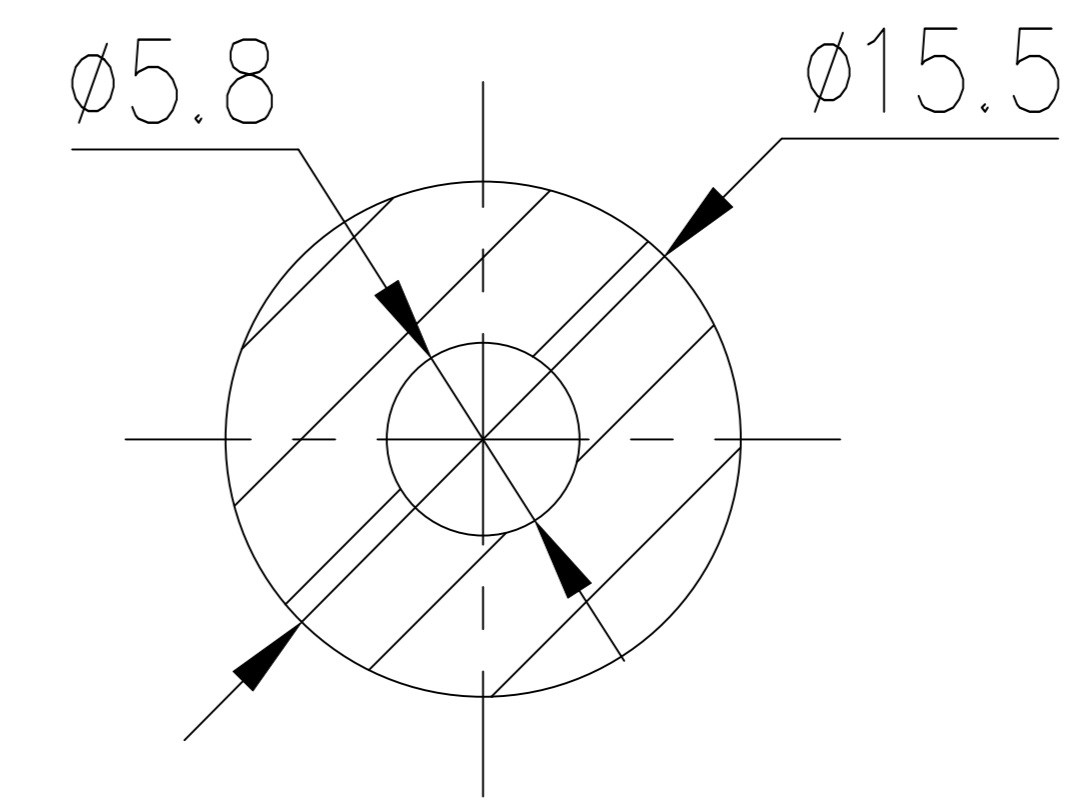
M12

SBN-C010



M8, M10

SBN-C006



M5, M6

GENERAL TOLERANCE

GRADE	A LEVEL	B LEVEL	C LEVEL
1-4	$\pm 0.05$	$\pm 0.10$	$\pm 0.25$
4-6	$\pm 0.07$	$\pm 0.20$	$\pm 0.35$
16-63	$\pm 0.10$	$\pm 0.30$	$\pm 0.50$
63-250	$\pm 0.18$	$\pm 0.55$	$\pm 0.90$
250-500	$\pm 0.30$	$\pm 0.90$	$\pm 1.50$
500-1000	$\pm 0.50$	$\pm 1.50$	$\pm 2.50$

부 품 번 Part No.	번호 No.	명 칭 Part Name	갯수 Qt'y	재 질	비 고 Remarks
DRAWN	CHECKED	CHECKED	APPROVED	SCALE : 1 / 1	MODEL :
				UNIT: MM	TITLE:
				SIZE: A4	THIRD ANGLE PROJECTION
				DATE :	DWG No.

A

B

C