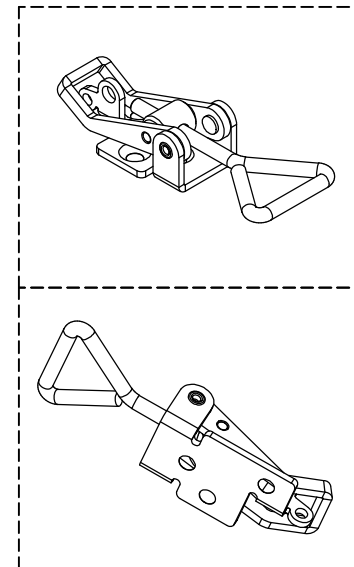
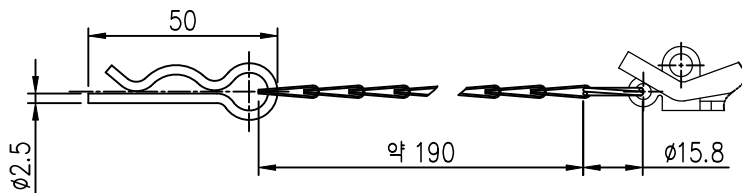
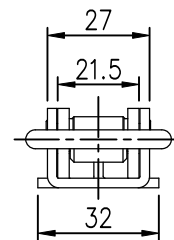
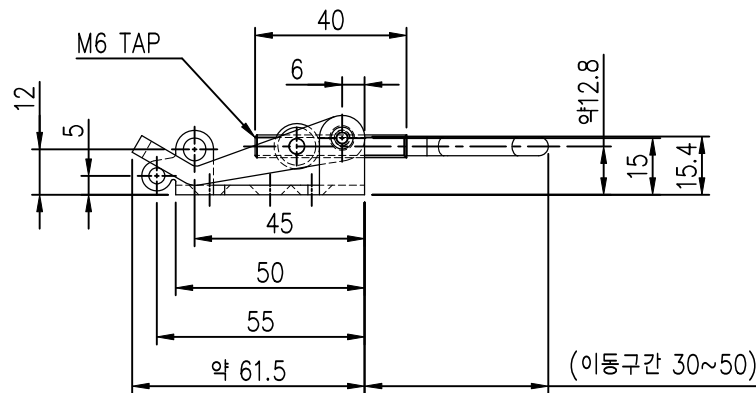
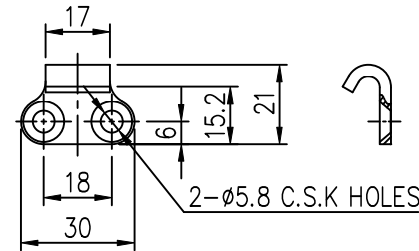
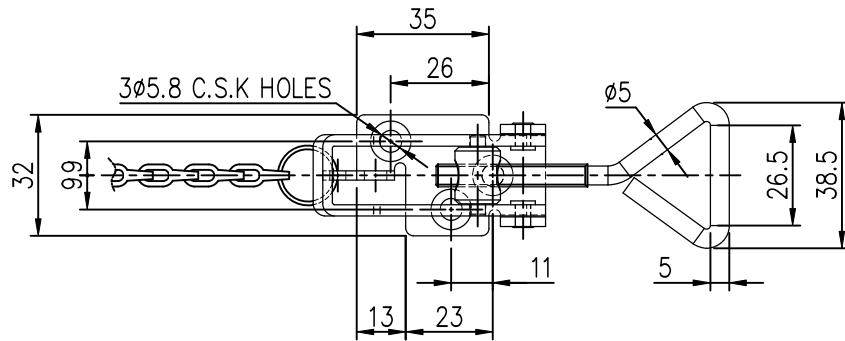


적용 도면 (Applied DRAW. No.)	
도면 번호 (DRAW. No.)	비고 (Remarks)
1	
2	

MARK	DATE	DETAIL OF REVISION	CHECK	APP.
△				
△				

SM-NR23-2S



ISOMETRIC VIEW

GENERAL TOLERANCE

DIVISION	GRADE	A LEVEL	B LEVEL	C LEVEL
1-4		±0.05	±0.10	±0.25
4-16		±0.07	±0.20	±0.75
16-63		±0.10	±0.30	±0.50
63-250		±0.18	±0.55	±0.80
250-500		±0.30	±0.90	±1.50
500-1000		±0.50	±1.50	±2.50

부품번호 Part No.	번호 No.	명칭 Part Name	갯수 Qt'y	재질 Material	비고 Remarks
DRAWN	CHECKED	CHECKED	APPROVED	SCALE: 1/1	MODEL:
UNIT:			TITLE:		
DATE:			MODEL No.		
DWG No.					

SAMO