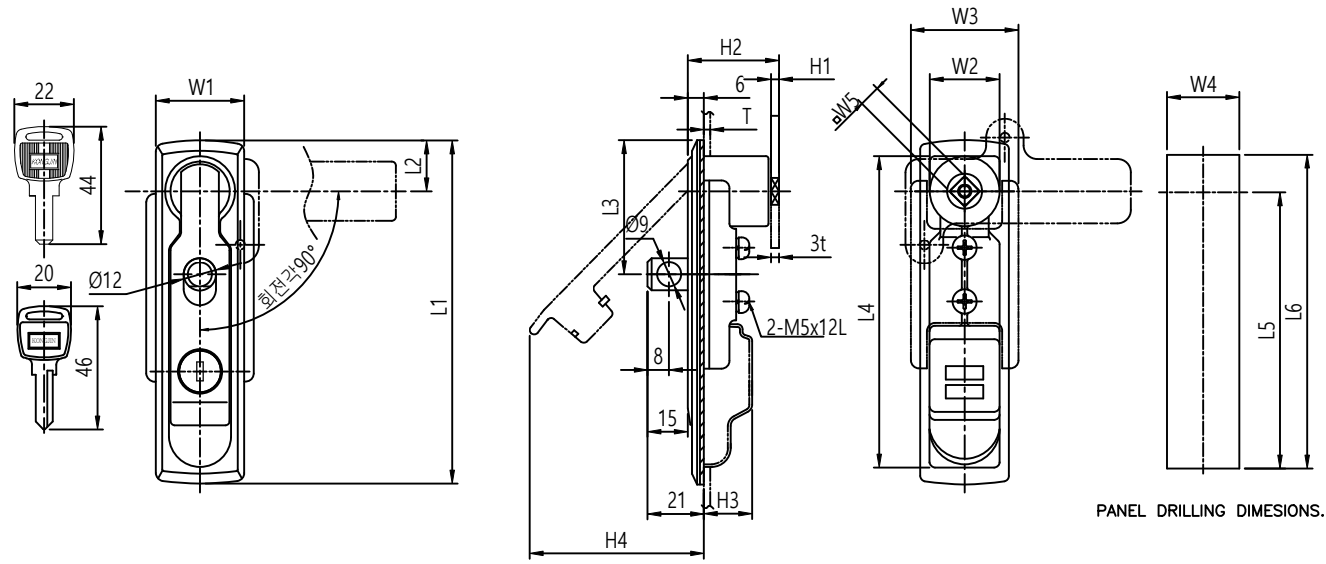


작성 도면 (Applied DRAW. No.)	
도면 번호 (DRAW. No.)	비고 (Remarks)

MARK	DATE	DETAIL OF REVISION	CHECK	APP.

SBH-HF-88W



PANEL DRILLING DIMESIONS.

제품명	L1	L2	L3	L4	L5	L6	H1	H2	H3	H4	W1	W2	W3	W4	W5	Net weight(g)
SBH-HF-88W-2KB	128	19	50	116	102	117	3	34	18	65	33	26	40	27	8	324
SBH-HF-88W-2KC	128	19	50	116	102	117	3	34	18	65	33	26	40	27	8	324
SBH-HF-88W-3KB	153	22	73	140	125	141	6	40	20	84	38	29	47	30	10	480
SBH-HF-88W-3KC	153	22	73	140	125	141	6	40	20	84	38	29	47	30	10	480

GENERAL TOLERANCE				부품번 Part No.		번호 No.		명칭 Part Name		갯수 Q't'y		재질 Material		비고 Remarks	
1-4	±0.07	±0.10	±0.20												
4-6	±0.07	±0.20	±0.75												
16-63	±0.10	±0.30	±1.50												
63-250	±0.18	±0.35	±1.80												
250-500	±0.30	±0.80	±1.50												
500-1000	±0.50	±1.50	±2.50												

SAMO

DATE: / /

SCALE: /

MODEL:

TITLE:

DWG No.: