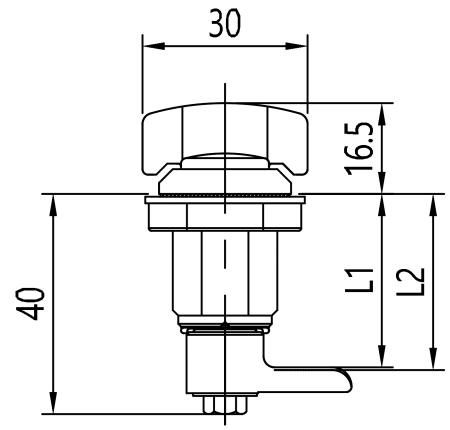
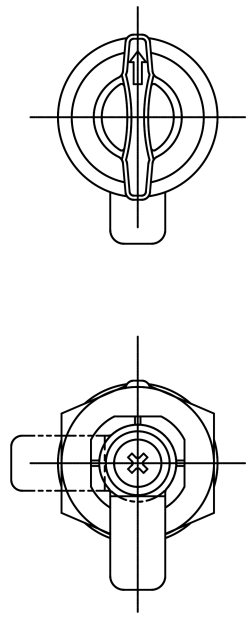
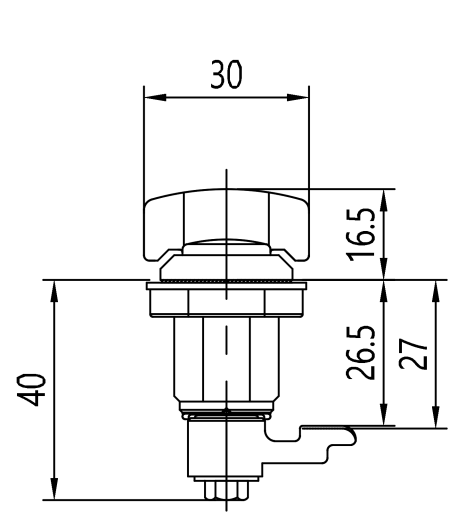


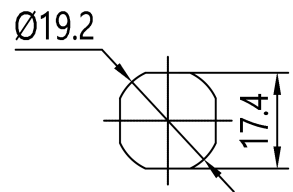
작성 도면 (Applied DSM. No.)	
도면 번호 (DSM. No.)	비고 (Remarks)
1	
2	

MARK	DATE	DETAIL OF REVISION	CHECK	APP.
▲				



SCL-KC-109(25mm)

	L1	L2	Net weight(g)
SCL-KC-109(25mm)	26.5	27	77
SCL-KC-109(27mm)	28.5	29	76.5
SCL-KC-109(30mm)	31.5	32	75.5
SCL-KC-109(35mm)	35.5	36	81.5



PANEL DRILLING DIMENSIONS.

GENERAL TOLERANCE				부품번		번호		명칭		갯수		재질		비고	
GRADE	A LEVEL	B LEVEL	C LEVEL	Part No.	No.	Part Name	Qt'y							Remarks	
1-4	±0.07	±0.10	±0.27												
4-6	±0.07	±0.20	±0.35												
10-33	±0.10	±0.30	±0.50												
63-250	±0.18	±0.55	±0.90												
250-500	±0.30	±0.90	±1.50												
500-1000	±0.50	±1.50	±2.50												

DRAWN	CHECKED	CHECKED	APPROVED	SCALE: 1/1	MODEL:
UNIT: AT			TITLE:		
DATE:			MODEL No.:		
DATE:			DWG No.:		

