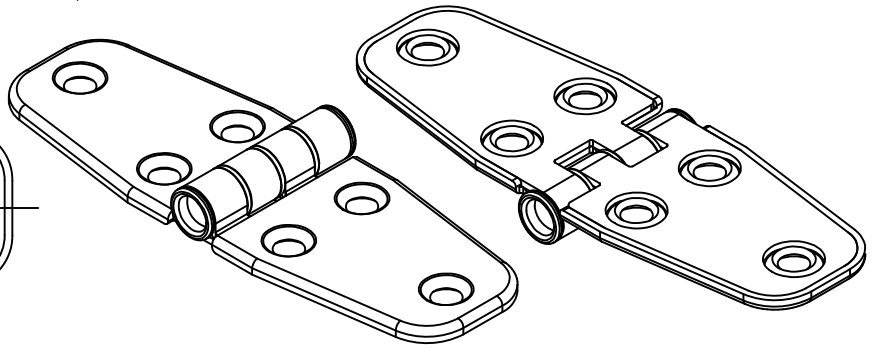
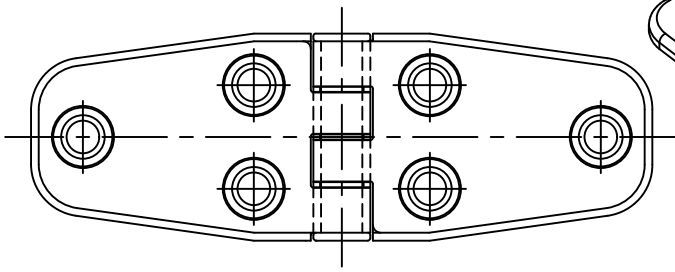
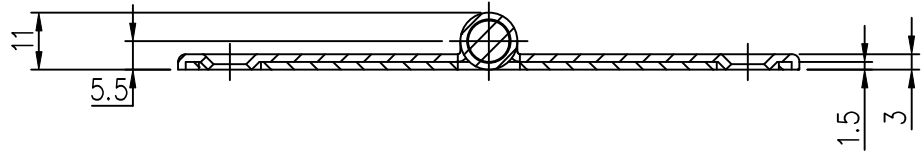
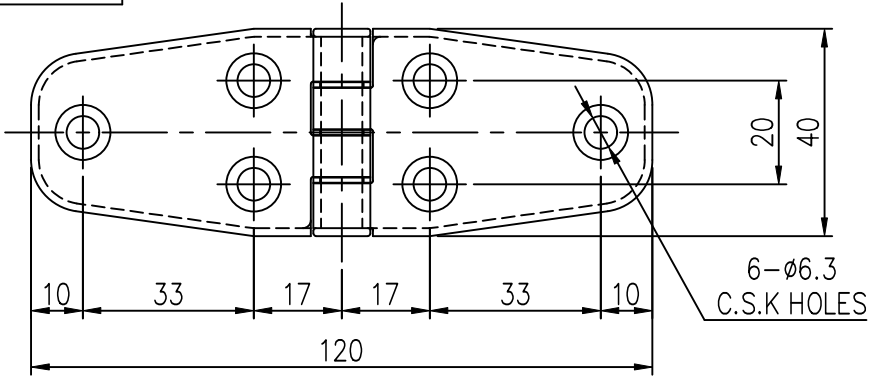


|                           |              |      |  |      |                    |  |       |      |
|---------------------------|--------------|------|--|------|--------------------|--|-------|------|
| 적용 도면 (Applied DRAW. No.) |              | MARK |  | DATE | DETAIL OF REVISION |  | CHECK | APP. |
| 도면 번호 (DRAW. No.)         | 비고 (Remarks) | △    |  |      |                    |  |       |      |
| 1                         |              | △    |  |      |                    |  |       |      |
| 2                         |              |      |  |      |                    |  |       |      |

# SHS-40120



GENERAL TOLERANCE

| DIVISION | GRADE            | A LEVEL          | B LEVEL          | C LEVEL |
|----------|------------------|------------------|------------------|---------|
| 1-4      | <del>±0.05</del> | <del>±0.10</del> | <del>±0.25</del> |         |
| 4-6      | <del>±0.07</del> | <del>±0.20</del> | <del>±0.35</del> |         |
| 16-63    | <del>±0.10</del> | <del>±0.30</del> | <del>±0.50</del> |         |
| 63-250   | <del>±0.18</del> | <del>±0.55</del> | <del>±0.90</del> |         |
| 250-500  | <del>±0.30</del> | <del>±0.90</del> | <del>±1.50</del> |         |
| 500-1000 | <del>±0.50</del> | <del>±1.50</del> | <del>±2.50</del> |         |

|                 |         |           |                 |             |                        |    |               |
|-----------------|---------|-----------|-----------------|-------------|------------------------|----|---------------|
| 부품번<br>Part No. |         | 번호<br>No. | 명칭<br>Part Name |             | 갯수<br>Qt'y             | 재질 | 비고<br>Remarks |
| DRAWN           | CHECKED | CHECKED   | APPROVED        | SCALE : 1/1 | MODEL :                |    |               |
|                 |         |           |                 | UNIT : MM   | TITLE :                |    |               |
|                 |         |           |                 | SIZE : A3   | THIRD ANGLE PROJECTION |    | MODEL No.     |
|                 |         |           |                 | DATE :      | DWG No.                |    |               |