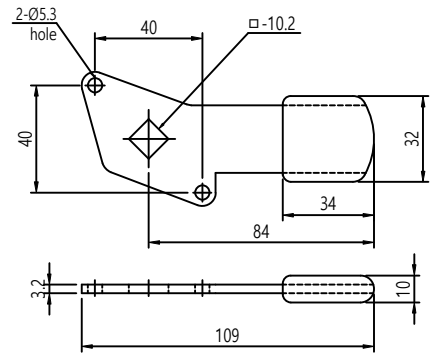
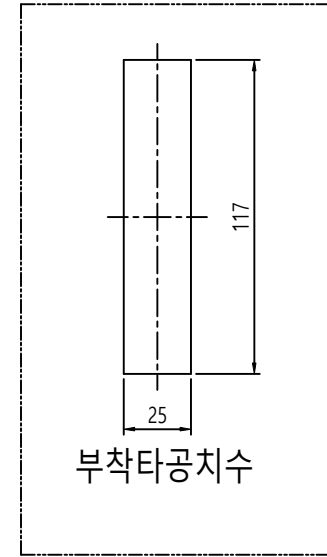
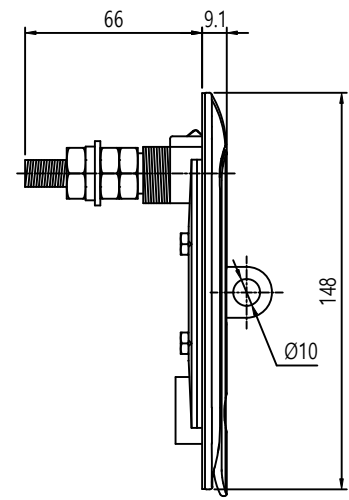
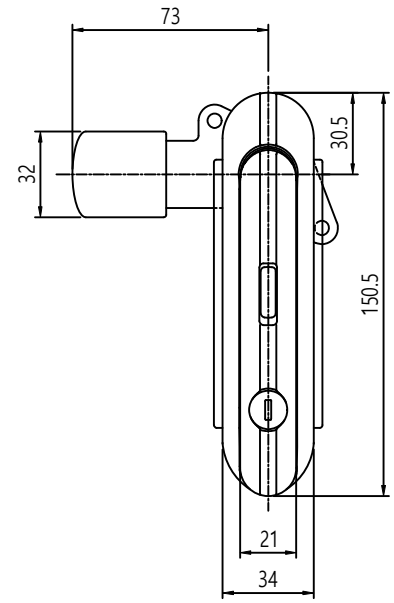


작성 도면 (Applied DRAW. No.)	
도면 번호 (DRAW. No.)	비고 (Remarks)

MARK	DATE	DETAIL OF REVISION	CHECK	APP.

SBH-KAU107-2WKB



GENERAL TOLERANCE				부품번	번호	명칭	갯수	재질	비고
수량	A LEVEL	B LEVEL	C LEVEL	Part No.	No.	Part Name	Q't'y		Remarks
1-4	±0.07	±0.10	±0.20						
4-6	±0.07	±0.20	±0.75						
16-63	±0.10	±0.30	±0.50						
63-250	±0.15	±0.35	±0.50						
250-500	±0.30	±0.80	±1.50						
500-1000	±0.50	±1.50	±2.50						

DESIGN	CHECKED	CHECKED	APPROVED	SCALE	1/1	MODEL
DATE						MODEL No.
DATE						DWG No.

**SAMO**